

PRODUCT SPECIFICATIONS BLDV500 Direct Vent



GLASS VIEWING AREA

33" W x 25 13/16" H (858 Square Inches)

TECHNICAL INFORMATION

Max. Btu Input: 28,000 BTU/HR

Ignition System: Standing Pilot or Signature Command™ System

Gas Type: Natural or LP

Flue Type: Simpson Dura-Vent, Selkirk Metalbestos, MetalFab

Termination: Top vent

Clearance to Flue for interior: 3" Top 1" Bottom and Sides

Clearance to Flue for Outside Wall: 1"

Clearance to Fireplace: 1"

Minimum Vent Height Before Elbow: 12"

CSA Design Certified

FIELD INSTALLED ACCESSORIES

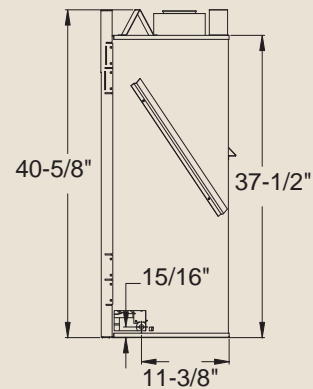
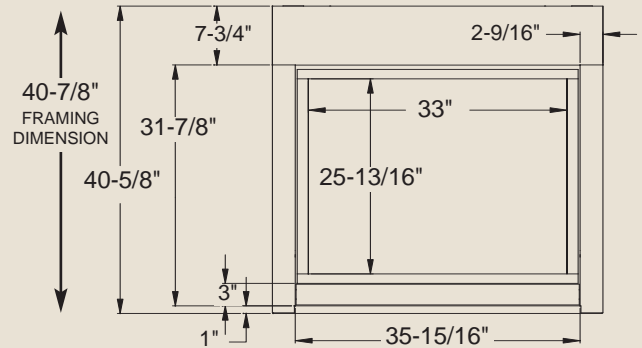
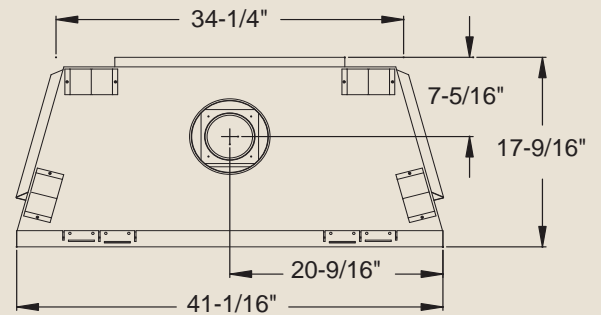
Firebrick: Cottage Clay or Cottage Red

Options: Andirons, Mesh Glass Cover, Remote

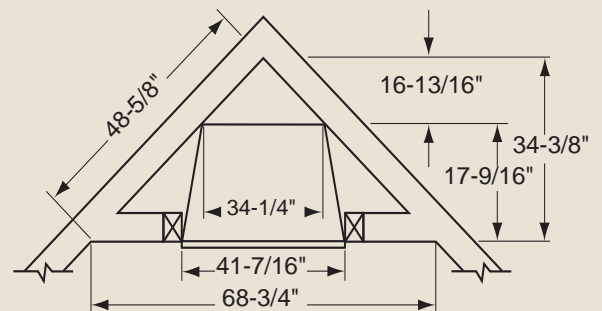
Variable Thermostat Controlled Dual Forced

Air Blower (160 cfm): BLOTBLDV

Ambient Technologies™ Remote Controls and Thermostats



FRAMING DIMENSIONS



A Brand of Monessen Hearth Systems Co.
149 Cleveland Drive, Paris, Kentucky 40361

www.monessenhearth.com

 **Monessen**

To avoid personal injury or property damage, the product described by this brochure must be installed, operated and maintained in strict compliance with the instructions packaged with the product and all applicable building or fire codes. Contact local building or fire officials about restrictions and installation inspection requirements. All photographs and drawings on this brochure are for illustrative purposes only and are not intended for, nor should they be used as a substitute for the instructions packaged with the unit. Appearance and specifications of the product are subject to change without notice. © 2007 Monessen Hearth Systems Co.